

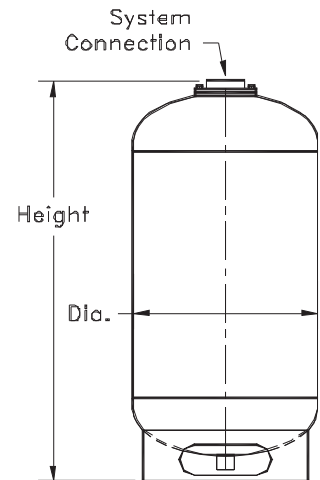


# SUBMITTAL DATA

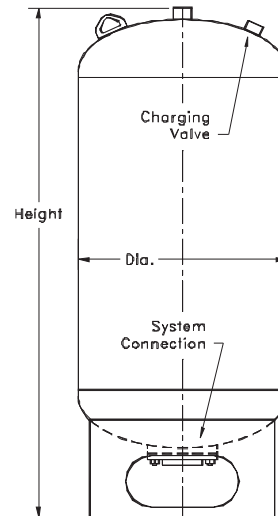
## REPLACEABLE BLADDER SHOCK ARRESTORS SSA SERIES, 250 PSI ASME CODE FOR WATER HAMMER SUPPRESSION

### Models and Dimensions

Model Number	Tank Volume		Dimensions (IN.)		System Conn. (NPT)	*Ship Weight (lbs.)
	(gal)	(liters)	Dia.	Height		
SSA 35	10	38	12	26	2 1/2"	55
SSA 50	13	49	14	26	2 1/2"	65
SSA 85	23	87	16	30.5	3"	134
SSA 130	35	132	20	30.5	3"	175
SSA 200	53	200	24	46.5	4"	270
SSA 300	79	300	24	58.5	4"	341
SSA 400	106	400	30	52.5	4"	454
SSA 500	132	500	30	63	6"	515
SSA 600	158	600	30	71	6"	771
SSA 700	185	700	30	81.5	6"	797
SSA 800	211	800	32	82	6"	902
SSA 1000	264	1000	36	85	10"	1147
SSA 1200	317	1200	36	107	10"	1303
SSA 1400	370	1400	36	119	10"	1447
SSA 1600	422	1600	48	92	10"	1888
SSA 2000	528	2000	48	105	10"	2105
SSA 2500	660	2500	48	122	10"	2425



**SSA 35 and SSA 53**



**SSA 85 through SSA 2500**

### Materials of Construction

Shell:	Steel
Bladder:	Heavy Duty Butyl
System Connection:	Carbon Steel

### Maximum Operating Conditions

Working Temperature:	240° F
Working Pressure (PSIG):	250 PSIG

Designed, constructed, and stamped in accordance to ASME Code, Section VIII, Division 1.

Standard Factory Pre-charge = 30 PSIG

Job Name \_\_\_\_\_

Location \_\_\_\_\_

Engineer \_\_\_\_\_

Architect \_\_\_\_\_

Sales Rep. \_\_\_\_\_

Contractor \_\_\_\_\_

Model Number \_\_\_\_\_

Temperature \_\_\_\_\_

Capacity \_\_\_\_\_

Liquid \_\_\_\_\_

Notes \_\_\_\_\_

\_\_\_\_\_

\_\_\_\_\_