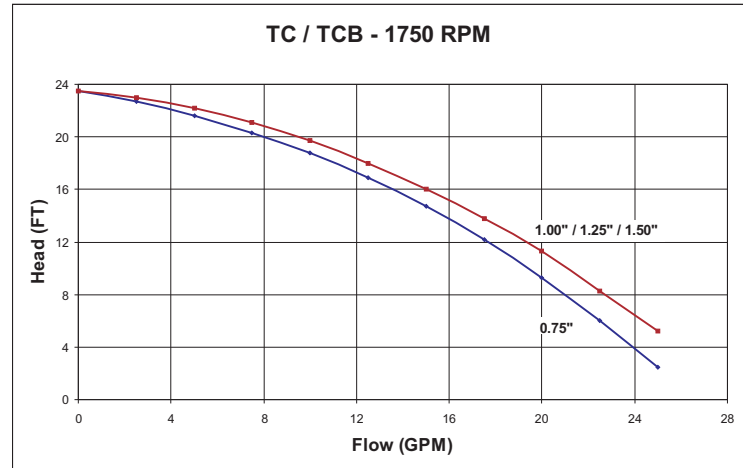
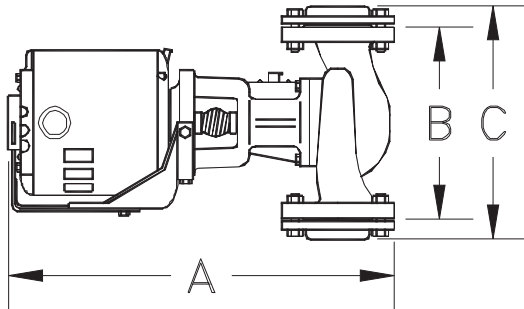




# SUBMITTAL DATA

## Model TC & TCB Circulator



Materials of Construction		
Model Part No:	TC	TCB
	1202-1030	1413-1030
Casing	C.I.	Bronze
Flanges	Steel	Bronze
Impeller	Brass	Brass
Seal	Ceramic	Ceramic
Coupling	Spring	Spring
Motor *	1/4 HP 115v / 1Ø	1/4 HP 115v / 1Ø
Lubrication	Oil	Oil

\* Thermally Protected with Automatic Reset

Dimensions (in.)				
Model	A	B	C	Weight
TC	15.19	9.38	11.00	33 lbs.
TCB	15.19	9.38	11.00	33 lbs.

NOTE: All dimensions are approximate.

Maximum Operating Conditions	
Working Temperature	220°F
Working Pressure	125 PSI

Job Name \_\_\_\_\_

Location \_\_\_\_\_

Engineer \_\_\_\_\_

Architect \_\_\_\_\_

Sales Rep. \_\_\_\_\_

Contractor \_\_\_\_\_

Model Number \_\_\_\_\_

Temperature \_\_\_\_\_

Capacity \_\_\_\_\_ GPM Head: \_\_\_\_\_ Ft.

Liquid \_\_\_\_\_

Notes \_\_\_\_\_

\_\_\_\_\_

\_\_\_\_\_