

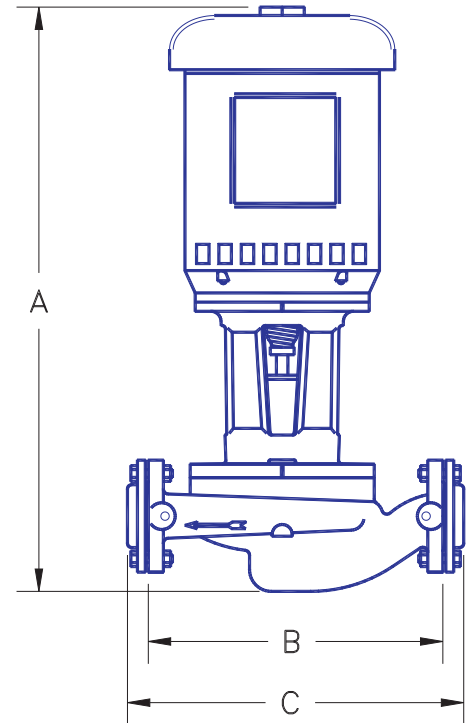


SUBMITTAL DATA

MODEL HVGT & HVGTB
3500 RPM
VERTICAL IN-LINE - MTO PUMPS

SPECIFICATIONS

MODEL			DIMENSIONS			WEIGHT (LBS MAX)
SIZE	TYPE	HP	A (MAX)	B	C	
1	HVGT	1	22.62	11.12	12.50	66
1	HVGT	1 1/2				72
1	HVGT	2				82
1 1/4	HVGT	1	22.62			66
1 1/4	HVGT	1 1/2				72
1 1/4	HVGT	2				82
1 1/2	HVGT	1	22.62			66
1 1/2	HVGT	1 1/2				72
1 1/2	HVGT	2				82
1	HVGTB	1	22.62			66
1	HVGTB	1 1/2				72
1	HVGTB	2				82
1 1/4	HVGTB	1	22.62	66		
1 1/4	HVGTB	1 1/2		72		
1 1/4	HVGTB	2		82		
1 1/2	HVGTB	1	22.62	66		
1 1/2	HVGTB	1 1/2		72		
1 1/2	HVGTB	2		82		



MATERIALS OF CONSTRUCTION

DESCRIPTION	HVGT	HVGTB	OPTIONAL
CASING	IRON	BRONZE	
IMPELLER	BRASS	BRASS	
BRACKET	IRON	IRON*	
BEARINGS	BALL	BALL	
LUBE	PERM. LUBE	PERM. LUBE	
SEAL	CERAMIC	CERAMIC	NI-RESIST SILICON CARBIDE
MOTOR	C-FACE	C-FACE	
ENCLOSURE	ODP	ODP	TEFC
VOLTAGE	208-230/460	208-230/461	115/208-230
PHASE	3	3	1
BEARINGS	BALL	BALL	
LUBE	GREASE	GREASE	
COUPLING	3J	3J	

* ALL WETTED PARTS NON-FERROUS MATERIALS

MAXIMUM OPERATING CONDITIONS

WORKING TEMPERATURE	250°F
WORKING PRESSURE	175 PSI

Job Name _____
Location _____

Engineer _____
Architect _____
Sales Rep. _____
Contractor _____

Model Number _____
Temperature _____
Capacity _____ GPM **Head:** _____ Ft.
Liquid _____ **RPM** _____
H.P. _____ **B.H.P.** _____
Volts _____
Enclosure _____