



SUBMITTAL DATA

1 1/2 x 1 1/2 x 7 HTV 2g
 2 x 2 x 7 HTV 2g
 3500 RPM

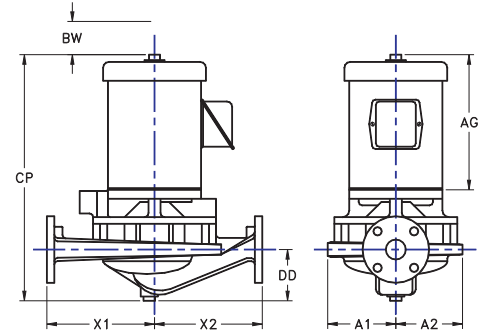
IN-LINE CENTRIFUGAL PUMPS

1 1/2 X 1 1/2 X 7 HTV2g

PUMP MODEL			MOTOR H.P.	MOTOR FRAME SIZE	PUMP WEIGHT	DIMENSIONS (INCHES)						
DISC. SIZE	SUCT. SIZE	FULL IMP.				CP	A ¹	A ²	AG	BW	DD	X ¹
1 1/2 X 1 1/2 X 7 HTV2g	1 1/2	143 JMV	92	17.87	5	4.63	11.18	3.50	4.13	8	8	
	2, 3	145 JMV	102	20.12			13.43					
	5	182 JMV	132	20.50			13.81					
	7 1/2	184 JMV	140	22.00			15.31					

2 X 2 X 7 HTV2g

PUMP MODEL			MOTOR H.P.	MOTOR FRAME SIZE	PUMP WEIGHT	DIMENSIONS (INCHES)						
DISC. SIZE	SUCT. SIZE	FULL IMP.				CP	A ¹	A ²	AG	BW	DD	X ¹
2 X 2 X 7 HTV2g	1 1/2	143 JMV	99	17.87	5.13	4.75	11.18	3.50	4.13	8	8	
	2, 3	145 JMV	109	20.12			13.43					
	5	182 JMV	139	20.50			13.81					
	7 1/2	184 JMV	178	22.00			15.31					
	10	213 JMV	215	23.75			17.06					



ALL MODELS

MATERIALS OF CONSTRUCTION

DESCRIPTION	STANDARD BRONZE FITTED CONSTRUCTION	OPTIONS
CASING	CAST IRON	
CASING WEAR RINGS		BRONZE
IMPELLER	BRONZE	
MOTOR SHAFT	STEEL	
SHAFT SLEEVE	BRASS	316 S.S.
BRACKET	CAST IRON	
LUBRICATION	GREASE	
MECHANICAL SEAL	NI-RESIST	SILICON CARBIDE TUNGSTEN CARBIDE CERAMIC
CASING FLANGES	125 ASA DRILLING	
SEAL FLUSH	INTERNAL	EXTERNAL BY-PASS

MAXIMUM OPERATING CONDITIONS

	NI-RESIST (STANDARD) CERAMIC	SILICON CARBIDE TUNGSTEN CARBIDE
WORKING TEMPERATURE	250°F	300°F
WORKING PRESSURE	175 PSI	175 PSI

Job Name _____
 Location _____

 Engineer _____
 Architect _____
 Sales Rep. _____
 Contractor _____

Model Number _____
 Temperature _____
 Capacity _____ GPM Head: _____ Ft.
 Liquid _____ RPM _____
 H.P. _____ B.H.P. _____
 Volts _____
 Enclosure _____